

## Improvement and Remedy of Multiple Myeloma under Reductive Environment in a Body by Pico-Extended Particle Water

**Sunao Sugihara\* and Hiroshi Maiwa**

*Shonan Institute of Technology, Department of Human Environment, Fujisawa, Japan (General Inc. Assoc. Green Earth Again, and SIGN water research Lab. Yokohama, Japan)*

**\*Corresponding Author:** Sunao Sugihara, Shonan Institute of Technology, Department of Human Environment, Fujisawa, Japan (General Inc. Assoc. Green Earth Again, and SIGN water research Lab. Yokohama, Japan).

**Received:** September 26, 2024; **Published:** October 16, 2024

**DOI:** 10.55162/MCMS.07.248

### Abstract

We reported that the multiple bone marrow used to treat and remedy drinking SIGN water led to the reduction of the cancer cells of multiple myeloma from standpoints of the total system in our body. That is why we discuss the SIGN water's work along the electrical circuit, and we consider the cancer similar to the resistor. The condenser stores electrons and the coil provides them through acupuncture in the body even skin. The infoton in the SIGN water generates magneticity with an electron through coils similar to acupuncture. We propose that magneticity may transfer information with the infoton involving a charge and spin. The essential point is to activate the normal cells around bone marrow due to the infoton resulting in the disappearance of the cancer cells.

### Introduction

The remaining life of a patient with multiple myeloma depends on various conditions like stage of disease, reaction to medical treatment and possessing other illnesses. Multiple myeloma is a common cancer that increases with age.

According to the government statistical data, fifty per cent of pupils died in five years. The reasons have not been found, although multiple myeloma generates genome abnormality of plasma cells in the blood system and the lymphocytes [1, 2].

The myeloma cells grow in myeloma in the whole body and dissolve bones. It results easily a breaking bone. The bone marrow essentially plays for hematopoiesis, but it is hindered resulting in anaemia, decreasing platelet and white blood cells. The symptoms are respiratory distress, palpitation and pale face.

The hematopoietic cells exist in the bone marrow and differentiate various blood cells like red blood cells, white blood cells and platelets. In multiple myeloma, the stages are classified range from 1 to 3. A stage 1 multiple myeloma is growing slowly. As the stages get higher, the myeloma becomes more aggressive. Stage 3 multiple myeloma is getting worse quickly. However, essential medical care has not developed, although there are symptomatic treatments. We need comprehensive medical care because multiple myeloma is supposed to be in connection with the whole body even skin tissue.

Here, we focus on pico-extended particle water to improve the condition from the viewpoint of activation of normal cells resulting in disappearing cancer cells or tumour cells.

### *Bone marrow and its structure*

There is the confused network system for the human body which has a lot of keywords to elucidate since the bone marrow must associate with the whole body from brain to foot [3]. First, it is better to introduce the system outline; bone marrow exists in the gap nutrient artery in bone marginal blood vessels and the central vein.

In the levels of cells, bone marrow constitutes blood cells involving hematopoietic stem cells and hematopoietic microenvironment. The hematopoietic stem cells form blood by red pulp shown in Figure 1. The blood is generated in thin spongy tissue sternum between ribs and skull in red bone marrow (red pulp).

The spine relates to the whole body from brain to foot, although Figure. 1 indicates cervical vertebrae to lumber vertebrae. We can remarkably recognize the network system.

Bone marrow microenvironment may differentiate every cell and outer cell matrix resulting in cell growth and living by the signal from the inner cell and commitment from the outer cell [2].

However, we don't judge the commitment contents precisely.

The bone marrow microenvironment must affect growing factors, cytokine, and various factors inner cell and the matrix from the outer cell, and consists of osteoblasts, stroma cells, vascular endothelial cells, neuron system cells and macrophage. We do not discuss every cell in the microenvironment here.

### **Method**

We name it SIGN water manufactured the pressurized tap water of more than 100 MPa so that the water is not only a single molecule of H<sub>2</sub>O, but we estimate hydrogen-like particle we name it pico-extended element-like water named an infoton, depicted like  $\langle H^+ \sim e^- \rangle$ . The peculiar point of the infoton is that an electron oscillates toward and goes away from a proton in the clouds outside of the proton hinted by P. Dirac [4]. We reported the functions of the infoton in many publications including reductive works and nuclear transmutation [5-8]. We measure the low-level magnetization of glass by a superquantum interference device (SQUID).

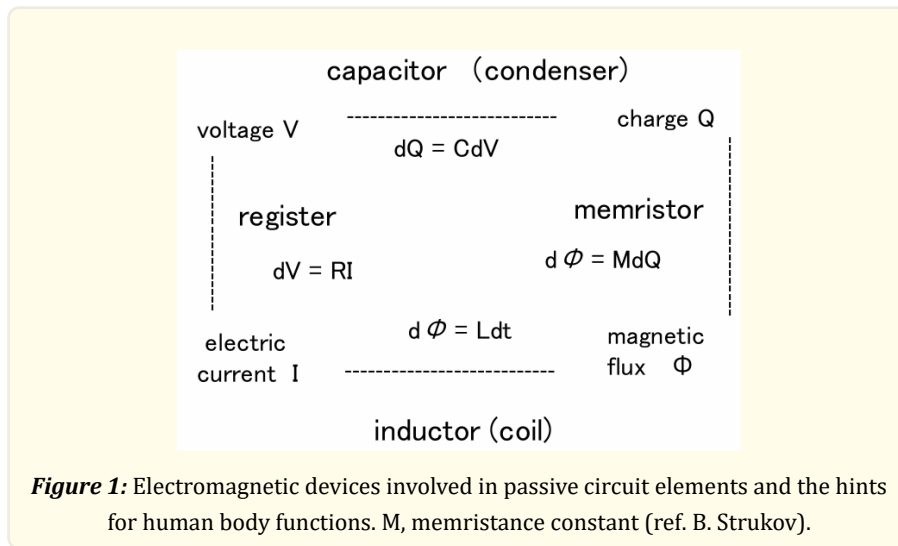
### **Results and Discussion**

#### *Electric circuit of the human body*

We know a person was diagnosed with multiple myeloma six months ago and we suggested drinking the SIGN water. Before drinking the water, he decreased his appetite because of hypercalcemia. Other symptoms were nausea and difficulty breathing, dizziness and dry mouth as well. Sometimes, he had palpitations.

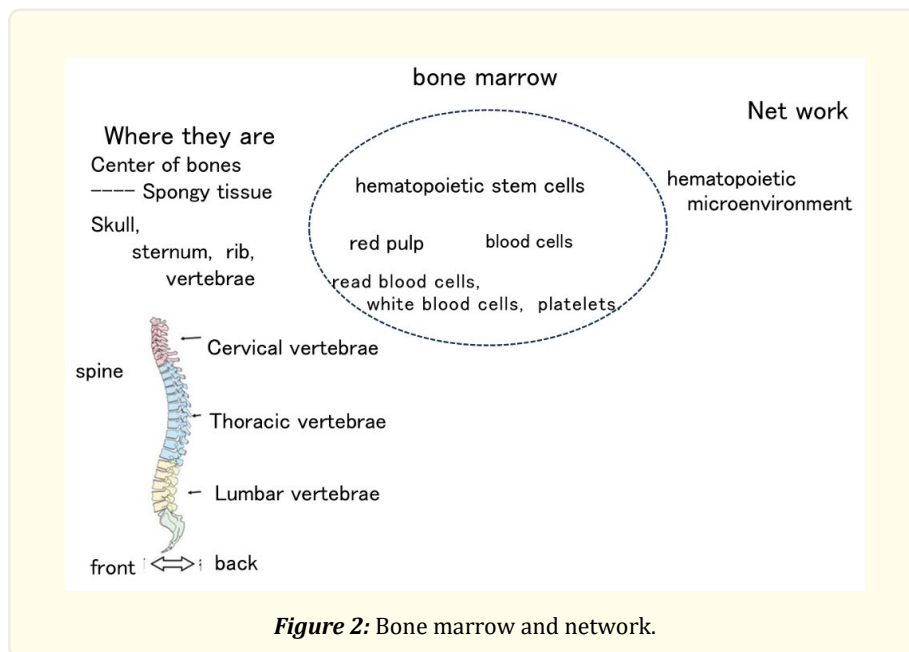
As for those symptoms, multiple myeloma is associated with the whole body like haemorrhage because of decreased platelet, disordered consciousness, kidney disease and constipation. We discuss the whole-body biological viewpoints. We must point out that plasma cells differentiated from B cells forming the protein of antigen to bacteria and viruses, namely, one of the immune cells, and also, we recognize the tumor microenvironment which peculiarity is surrounding a tumor and providing nutrition. Moreover, the microenvironment promotes the growth of tumors and hinders tumor treatments which drugs are difficult to reach.

We know chemotherapy including medicines like thalidomide Bortezomib. The problem is side effects [9, 10].



As we know, an electric circuit consists of the register ( R ), capacitor ( C ) and inductor ( L ), and Chua added magnetic flux (  $\Phi$  ) which is a unique idea with memristor [11, 12]. We modified it so that we apply it to the human body; namely, voltage analogizes the heart, charge is skin, and inductor equates to acupuncture in oriental medicine. Acupuncture is called “tsubo” in Japanese, which is a receptor as a transmitter. Here is our assumption; the magnetic flux and charge transfer information in the body system. The value indicates a charge stored in a capacitor, and electric current I flows under a certain voltage. The resistor controls the current, and we discuss water in the skin later.

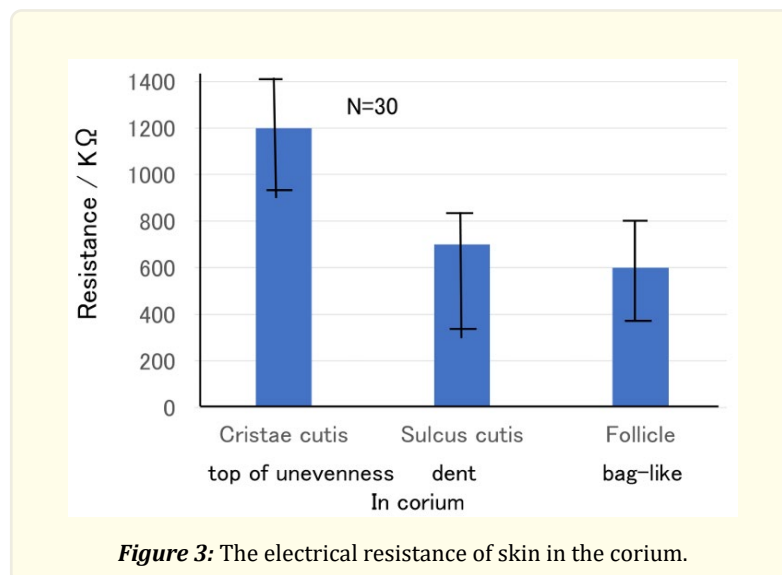
Magnetism is not solved in physics. But we propose that magnetism may transfer information with the infoton among a charge and spin [13]. The SIGN water is the key factor in our body, and we introduce bone marrow works for the human body system with the SIGN water later.



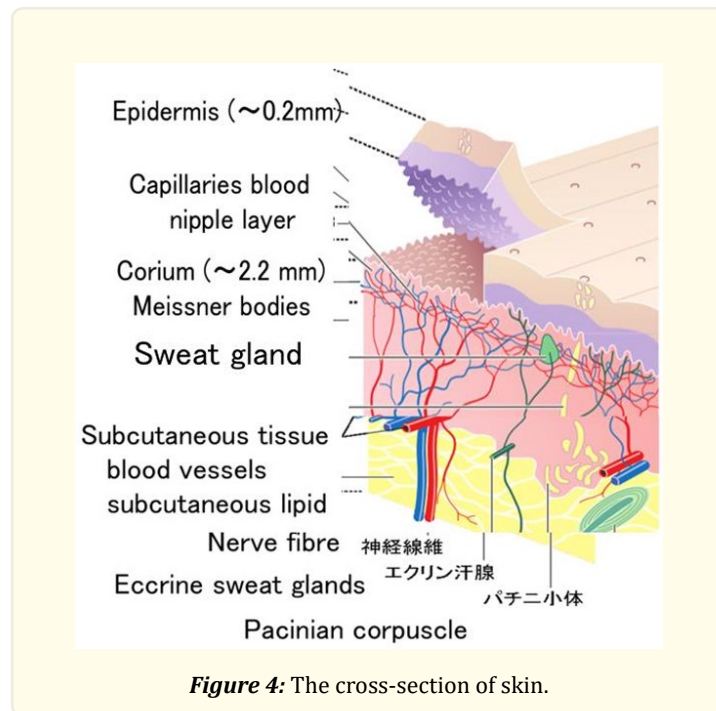
### *The function of the skin with signal transfer*

Figure 3 shows the largest resistance in the part of the corium, and the top near the epidermis. However, the dent and bag-like parts indicate lower value because of water storage where capillaries blood and sweat glands exist. An internal secretion accumulates in the follicle (bag-like). Therefore, the pupil has glowing skin due to the SIGN water.

Pruritus (itchy skin) is difficult to explain from the viewpoint of the nervous system, where the itchy signals (or messages) may go to the brain from the skin; peripheral nervous system or central nervous system. From my experience, I spray the water and rub on the area when I perceive a mosquito with an itchy feeling on my skin, then the pruritus stops for one or two minutes. That means poisonous substances from the mosquito results in detoxifying by the water. Detoxifying is one of example chemical reduction. Moreover, there is allergic contact dermatitis. But I don't know how the pruritus transfers to the brain in less than a second. Another difficult feeling is wound, injury, scratch etc.



Here is one more difficult feeling through the skin; as we know in daily life, skin is so sensitive like eyes, of course, temperature, horror; joy and embarrassment. We assume the sensitivity is due to water in the skin above the subcutaneous tissue. So, the water may transfer a wave of the signal, for instance, the wave of embarrassment or horror may become lower frequency due to the collide with the pico-extended water.



**Figure 4:** The cross-section of skin.

#### **Information transfer of the SIGN water to a glass**

Here is an interesting phenomenon in a glass. We employ the borosilicate glass of normally diamagnetic. We can consider a diamagnetic does not show hysteresis along with the magnetic field as Table 1. We discuss the next physics associated with spin this is to investigate the magnetization under the magnetic field.

The low levels of magnetization can be detected by super quantum interference device (SQUID). The activated borosilicate glass has information on the SIGN water during immersing in the water for one or two days. The reason why the diamagnetic glass becomes paramagnetic is that infotons spin in the SIGN water [14].

$$f = \frac{\gamma}{2\pi} B \quad (1)$$

The parameters above are defined as magnetic moment  $\gamma$ , frequency  $f$ , constant  $2\pi$ , and magnetic flux  $B$ , respectively. We can consider the infoton in the activated glass promotes with its precession under the outside magnetics ( $\sim 50$  kOe) with spin, charge and momentum which are the information transferred by the infoton.

Field (KOe)	Magnetization	
	contro glass	activated glass
-10	2	4
0	0	0
20	-4.5	4.5
30	-5	6
40	-10	4
50	-18	5

**Table 1:** Effect from outside magnet to control glass and activated glass. The activated glass means possessing information about SIGN water.

*Note;*  $1\text{emu} \approx 10^{-7}\text{ T}$ . Glass is paramagnetic, and shows diamagnetic in the magnetic field. However, the activated water (SIGN water) provides the magneticity. The detail is discussed in the article.

### Improvement or remedy of multiple myeloma and mental disorder

The SIGN water prepares the infoton information with reductive function so that the information reduces tumour cells oxidized condition as we reported in MEDICON publishing since 2021. The SIGN water activates normal cells rather than attacking the oxidized tumour cells leading to the disappearance of the cancer. This is our nudge theory to drink the SIGN water for people diseasing not only cancer but cerebral infarction (in Kanagawa) [15], Alzheimer's disease (in Nagano) [15, 16], cataract (in Fukuoka), throat cancer (in Fukushima) as decreasing high blood pressure (in Kanagawa) [17]. The parenthesis shows the prefecture of residence area of the clients in Japan.

Furthermore, a cancer and mental disorders can be improved by not only the SIGN water but also LED light activated by the water, although we did not report here [17, 18]. Especially, we need to follow the client for a long; period time like 2~3 years.

### Conclusion

We reported the multiple bone marrow to treat and remedy drinking the SIGN water leading to reduce the cancer cells of multiple myeloma in viewpoints of the total system in our body. We discussed the SIGN water's work along the electrical circuit, and we consider the cancer similar to the resistor. The condenser stores electrons and the coil provide reductive conditions through the acupuncture in the body. The infoton in the SIGN water generates magneticity with an electron. The essential point is to activate the normal cells around bone marrow due to the infoton resulting in the disappearance of the cancer cells.

### Reference

1. Multiple myeloma. National Cancer Center. <https://www.ncc.go.jp> > knowledge > multiple myeloma.
2. [https://en.wikipedia.org/wiki/Multiple\\_myeloma](https://en.wikipedia.org/wiki/Multiple_myeloma).
3. <https://www.kitasato-u.ac.jp> > soc > spine > contents01.
4. P.A.M. Dirac. "The Principles of Quantum Mechanics". Fourth Edition, Oxford at the Clarendon Press (1958).
5. Sugihara S. "Deactivation of Radiation from Radioactive Materials Contaminated in a Nuclear Power Plant Accident". Water 5

- (2013): 69-85.
6. Sugihara S., et al. "The Mechanisms of Activation of Substances by Minimal Catalyst Water and Application in Keeping Foods Fresh". *Water* 3 (2011): 87-94.
  7. Sugihara S. "Faster disintegration of radioactive substances using the energy of specially processed water and theoretical prediction of a half-life of radionuclide". *International Journal of Current Research and Academic Review* 3.8 (2015): 196-207.
  8. Sugihara S. "Model for Transmutation of Elements using Weak Energy of Water Leading to Faster Disintegration of Radionuclides". *Water* 10 (2018): 82-98.
  9. Vinay Chaudhry., et al. "Characteristics of bortezomib- and thalidomide-induced peripheral neuropathy". *Journal of the Peripheral Nervous System* 13 (2008): 275-282.
  10. Shigeo Hashimoto., et al. "The Addition of Low-dose Thalidomide to Bortezomib and Dexamethasone for Refractory Multiple Myeloma". *The Japanese Society of Internal Medicine* 55 (2016): 3025-3028.
  11. Chua LO. "Memristor - the missing circuit element" *IEEE Trans. Circuit Theory* 18 (1971): 507- 519.
  12. Dmitri B Strukov., et al. "The missing memristor found". *Nature Letters* 453 (2008): 80-83.
  13. Sunao Sugihara, Hiroshi Maiwa and Takumi Amano. "Spin and Charge Collaborating in pico-particle Hydrogen of Water". *Medicon Engineering Themes* 5.1 (2023): 17-23.
  14. Sugihara Sunao., et al. "Microscopic Approach to Water by Using the D -X Method, and Some Innovative Application". *The D -X Molecular Orbital Calculation Method*, edited by T Ishii., et al. Springer International Publishing, Switzerland Chapter 10 (2015): 257-289.
  15. Sunao Sugihara and Hiroshi Maiwa. "Theoretical Functions of the Proton and Electron Pair to Mental Disorder with Biophysics". *Medicon Medical Sciences* 3.4 (2022): 34-40.
  16. Sunao Sugihara and Hiroshi Maiwa. "Improvement of Cerebral Infarction Injecting Electrons with Biological Treatment onto Acupuncture Points and Finger Pressure through the Instrument". *Medicon Medical Sciences* 3.6 (2022): 20-26.
  17. Sunao Sugihara, Hiroshi Maiwa and Kunihiko Hatanaka. "Improvement of Mental Disorders with Pico-extended Hydrogen-like Elementary Particle". *Medicon Medical Sciences* 6.1 (2024): 56-62.
  18. Sunao Sugihara, Hiroshi Maiwa and Kunihiko Hatanaka. "Reduction and Relief of Cancer using Activated Light Emitting Diode". *Medicon Medical Sciences* 2.4 (2022): 11-20.

**Volume 7 Issue 5 November 2024**

**© All rights are reserved by Sunao Sugihara., et al.**