

Recover of Disease and Illness with Electric Treatments through the Water---evidence and theory.

Sunao Sugihara*

Shonan Institute of Technology, Department of Human Environment, Fujisawa, Japan (General Inc. Assoc. Green Earth Again, and SIGN water research Lab. Yokohama, Japan)

***Corresponding Author:** Sunao Sugihara, Shonan Institute of Technology, Department of Human Environment, Fujisawa, Japan (General Inc. Assoc. Green Earth Again, and SIGN water research Lab. Yokohama, Japan).

Received: December 8, 2021; **Published:** December 28, 2021

Abstract

There are many kinds of research about water in various fields such as agriculture, chemistry, biology, medicine, and physics. The targets of water research are these in daily life, the ocean, in the air and the substances. Moreover, there is the theoretical study of water (H₂O) itself. They have reported *Ab initio* calculation, and the density-functional theory have on the hydrogen bond of water molecules and interaction between monomers, which research issue is associated with the water molecule itself. Here we present the theoretical concept to protect us from any virus involved in COVID-19. The mechanism based on amino acid reaction with water involved a proton and electron are essential to our body. Due to pressurization (more than 100 MPa) applied to ordinary water, hydrogen bond dissociation can work for various functions. Besides smallness, proton and electron may play a role passing an electric current to protect viruses and germs through the water in a body. The information of the water is supposed to be "momentum" (spin, mass, and velocity) may protect us from any virus and germ due to chemical reduction by proton and electron in the water.

Keywords: Weak energy water; Proton & electron; Hydrogen bond; Amino acid; Electrical current

Introduction

Generally, the causes of disease, illness and cancer have been researched in chemical drugs and surgery such as hormones, genes, various substances and medical treatments. Furthermore, they prescribe vaccines to protect against infectious diseases by antibodies against the virus, bacteria, fungi etc. In another viewpoint, we must regard the human body with a whole system reported in the 19th. We reported the prevention of the corona virus with our water [1, 2] and we discussed human body, where water constitutes 70% in a bodyweight and is said to be 80% in blood as well known. Water is more than unusual which attracts our interest. We do not refer to the previous papers all the time since there are tremendous amounts of publications. Even narrowing down to the molecule of water, there are researches of the structures in liquid, solid (like ice), vapor, interaction with some other material, and so forth [3, 4]. Although hydrogen bond itself has been reported [5], we have researched the water, which is supposed to be less than one molecule, considering that a cluster of water formed with hydrogen bonds may dissociate with the high pressure. That process generates the presumed particle, infoton, (H⁺~e⁻) [6] which is the pico-size in the water. Therefore, the water reported here is like an extended elementary particle in physics [7]. We call it SIGN water meaning "Spin Information Gauge Network", although we do not discuss the physical term at present.

We found the functions of the infotons in the various fields, such as both outside and inside a nucleus of any substance. The former

is the CO₂ reduction of exhaust gases from a car [8] and keeps foods fresh in the zip-rock film [9]. In the inside nucleus, we repeated to reduce radioactivity from cesium-contaminated soils, resulting in stable barium with the weak energy of infoton in Fukushima (2011~2013) [10]. Here, we propose something interesting to explore water from two viewpoints in theoretical discussion for preventing diseases and illness in terms of electricity and electrical treatments. Firstly, we discuss water itself, referring to how we should take into a body for our immunity. Second, we recommend the devices such as LED lights and clothes activated with the SIGN water's information on the body to maintain normal functions besides introduction of the various experiences in the daily-life.

Method

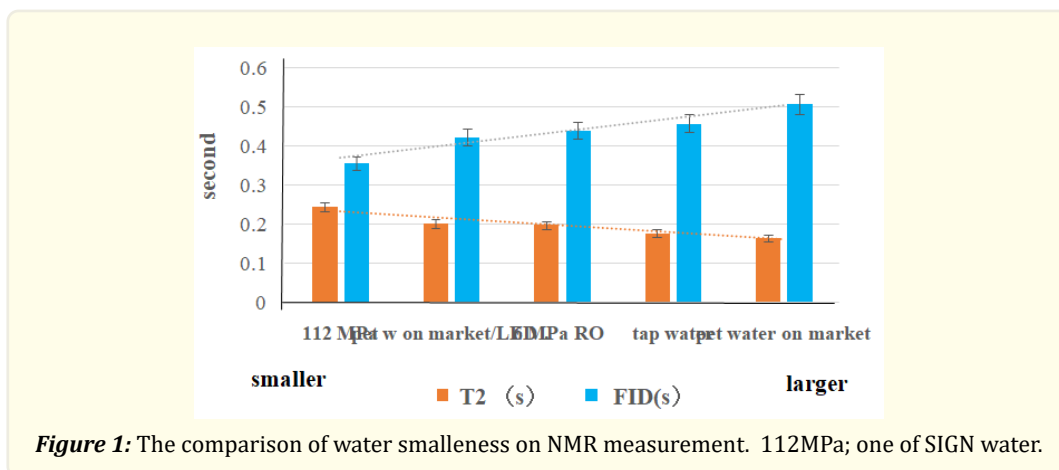
The starting material is ordinary tap water without any added substances. We apply to tap water with high pressure (112 MPa) for 10 min in the giant facility (approx. 3mφ x 5m depth) containing water. After the process, the water in the pet bottle is named the specially-processed water (SIGN water). We analyzed the water to the relaxation time (T_2) and free induction decay (FID) in hydrogen-NMR (R-90H, Hitachi Co. Ltd.) [11]. we compare the values of T_2 and FID with those of the tap water of the original one. And then, we estimate the smallness of it indirectly. The nature of the SIGN water is assumed to have characteristics in a pico-size (10^{-12} m).

Moreover, we use the Fourier-Transform Infrared spectroscopy (FT-IR 6000, JASCO) to confirm the transmittance of the terahertz wave (region of 0.6 to 20 THz) through the water since ordinary water usually absorb the THz wave [12]. One precious point for the "method" associating with the original SIGN water is transferring the information that the water possesses into the space and the substance. The two methods to print the information; 1) to immerse into the SIGN water, 2) to irradiate something with the "activated" LED light (where after SIGN light).

We can judge whether a processed substance has the SIGN water's information or not, using H-NMR. Moreover, we use Ryodoraku and AMSAT (Automatic System Analysis Therapy) instruments [13] to pass an electric current through a body to examine the mechanism of the water's function to prevent disease and illness. We recommend separating every sample by more than one meter to avoid transferring SIGN water's information to the control.

Indirect evaluation of water's smallness

We can examine the smallest of water with H-NMR analysis data, as shown in Figure 1, which comes from a pet bottle of water in a market. We irradiated it with the SIGN LED light for one day named in "pet w on market /LED". The value of T_2 shows the relaxation time of a full width-half maximum time (second), Δ in $T_2 = 1/\pi \Delta$ of the spectra. FID means free induction decay indicating decay of resonance time (second) of hydrogen atom under a magnetic field of 2.5T in the spectra.



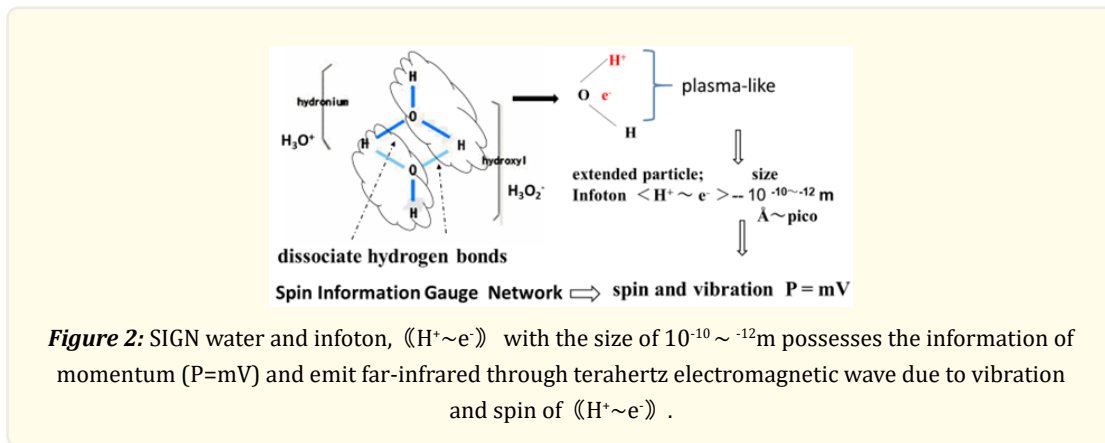
The left side, “112MPa” is the smallest water---SIGN water, and “6 MPa RO” means the water passing through a reverse osmosis filter.

Effective absorption of the water into the body

Our body cell involves an aquaporin protein [14-17] to absorb water only, where the narrowest part is less than 200 picometres. When water goes through the aquaporin protein, the pressure becomes the computed value of approximately 0.8MPa. It doesn't seem very easy for a cluster of ordinary water estimated five H₂O molecules [18] corresponding to 700~800 picometres to run through the part of the protein quickly. That is why we research the pico-sized water. The SIGN water can go rapidly into every cell of the body.

Figure 2. SIGN water with the size of picometre can quickly get into the cell. A cluster of standard water is supposed to be less than one molecule at the pressure of 112MPa, resulting in dissociation of the hydrogen bond. Hereafter, the extending particle, infoton, ((H⁺~e⁻)), is presumed.

We introduce the reason why the SIGN water is so small. Hydrogen bonding strength (hereafter HB) is one-tenth of O-O bonding [19], approximately. After HB dissociation showed in Figure 2, it is not necessary to regard the O-O bonding strength [19, 20]. Furthermore, HB energy corresponds to our body temperature (approx.0.03eV≈ wavelength of 47μm); namely, we can obtain sympathetic vibration so that every cell in a whole-body can be “activated” with SIGN water. Therefore, pico-sized water is crucial to maintain immunity due to a proton and an electron in the infoton. The infoton has two characteristics, (i) chemical reduction due to H⁺ and e⁻, (ii) the information of infoton ((H⁺~e⁻)) can be transferred to another substance in the network through a gauge field (a mathematical existence in space transmitting energy and information) even in space. The information might be momentum described with mass (1.67x10⁻²⁷kg of proton and electron), and velocity is presumed to be 1% of the light speed so that water can be taken into a whole-body through the aquaporin quickly.



Furthermore, we introduce the spin states: infoton, ((H⁺~e⁻)) ; 1 (=1/2+1/2), ((H⁺~e⁻)) ; 0 (1/2-1/2) or 1(= 1/2 + 1/2) and ((H⁺~e⁻)) ; 0(=1/2-1/2), because the spin of H⁺ is supposed to be +1/2, and -1/2 for e⁻. Their spins of the infoton mean the characteristics possessing a fermion and a boson corresponding to the distance between proton and electron, although we do not discuss the spin here.

Experimental evidence of smallness of SIGN water

We reported the evidence of smallness of SIGN water. The coffee powder in the paper bag [21], the broken test of the beaker after defrosting of ice and no dripping after defrosting of the chickens [22]. We assume that SIGN water emits the terahertz and far-infrared electromagnetic waves, and a lone pair electron of the nitrogen in the air becomes “active” due to the vibration through the air. The electromagnetic waves may make the coffee powder smaller. Furthermore, the volume of ice crystal increases at freezing in the ordinary cup, but the pico-sized water ice does not make a significant volume change because of the smallness of ice. As a result, the tissues

in the meat cell generally break during defrosting, and water comes out with soluble components (dripping). However, the meats in the container possessing the information of the pico-sized water did not appear dripping phenomena. We also reported the excellent effects on the growth of rice, mushrooms, and sowing of radish sprouts [20].

Theory for the infoton’s function to disease and illness

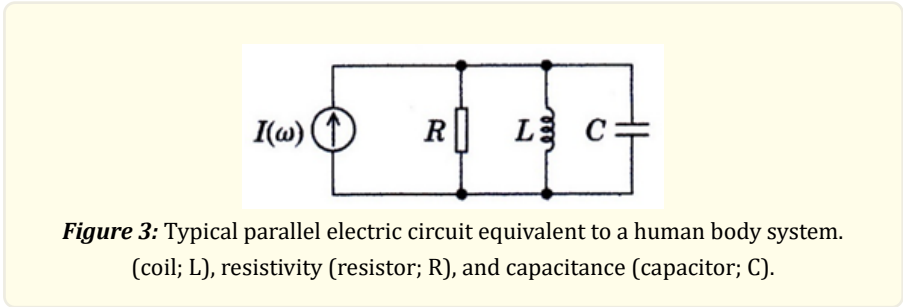
Acupuncture and electrical circuit

The oriental medicine’s acupuncture seems to be an application of the electrical circuit because the needle is a metal to put onto skin, semiconducting capacitor involving water that is a dielectric. The health organ may be an n-type capacitor that has a many numbers of electrons than holes (p-type capacitor). A capacitor store charges coulomb (C) in a series circuit and current can flow in alternating circuit depending on an electrostatic capacitance as defined in electromagnetic textbook. The capacitor is like skin or a cell containing water. The cell membranes function as a semiconducting capacitor with the electrodes due to containing water in a layer usually, then we refer to a coil in the circuit. This work of the current can accumulate the energy indicated in the equation (3). The energy exists as the magnetic field in the coil (substituted to “tsubo” in a human body, in other word, a meridian spot). Therefore, electric current *i* is essential for energy. The energy may bring their own immunity.

$$V = i \times R \tag{1}$$

$$Y_p = \frac{1}{R} + j \left(\omega C - \frac{1}{\omega L} \right), \text{ namely, } Y_p \propto I / V, \tag{2}$$

$$U = \frac{1}{2} L i^2 \text{ (Joule)} \tag{3}$$



Y_p is defined as an admittance indicating larger values when the current from outside flows into a body (voltage *V* is a constant), such as the medical treatment with the metallic tools. The second term is constant with a fixed frequency (ω) and capacitance (*C*) according to the equation (2) and (3). It means that every cell can reach a chemical reduction state due to electrons with an electric current.

Similarity of living organs to an electric circuit

Figure 4 shows the one typical electric circuit which is called Wheatstone bridge in physics. The electric current from A-B-C is measured I_1 , and the another one; A-D-C, I_2 .

The formula,

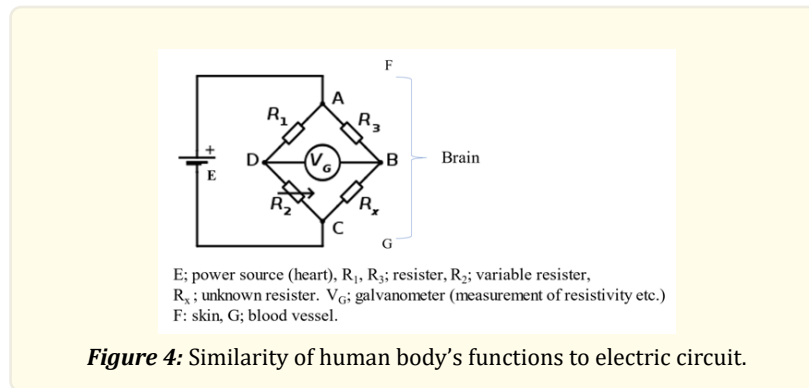
$$R_x = (R_3/R_1) R_2 \tag{4}$$

Holds from the following equations,

$$R_3 I_1 = R_1 I_2 \text{ and } R_x I_1 = R_2 I_2 \tag{5}$$

We define; A: eyes, B: mouth, C: ears, D: nose, F: skin and G: blood vessel.

We discuss the infoton's functions, considering the human body as a total system of living organs. Namely, a human body has a kind of dielectric characteristics because of containing water in every cell and blood. Later, we explain Ryodoraku (neuro softer) and AMSAT which relate to information from the skin in the former and information from a whole-body in the latter instrument. Furthermore, we may not explain every organ of A, B, C and D in Figure 4, here since they associate with a brain complicatedly.



We can easily understand the transferring mechanism of blood and water in a whole-body system in Figure 4.

Indirect effects of infoton and evaluation

It seems challenging and specialized in handling the Ryodoraku instrument (neuro softer instrument). Still, it is a good one to visualize a whole system in a body to judge the status of the autonomic nervous system.

Figure 5. Depicts two probes of Ryodoraku; a person grips a metal part of the right in the photo (end of yellow code is connected to the instrument), and put on any place of the skin. Another hand grips a left black's part of the left in the photo (end of black code is connected to the instrument), and scans on any place of the skin with the slim tip part (detective electrode connected to a black code). We can look at the electrical resistivity changes in the neuro softer instrument during scanning.



We can also employ the Ryodoraku instrument as the autonomic nervous system therapy, because electrons move in a body through the instrument with $200 \mu\text{A}$ (micro ampere) current under 12 voltages. It means that we can expect more smooth and rapid movement of electrons due to the infotons of the smaller size water.

Blood (7~8 % of bodyweight) circulates in a whole-body. From different viewpoints, electrical medical care today is the treatment to conduct the current (flow of electrons) across the entire body with water and blood. Furthermore, here is one of the methods to visualize the disease or illness with these therapeutic methods, such as Ryodorakuin Figure 5 that measures resistivity (R) under a constant voltage (V), and then electrical conductivity (i) is calculated, for instances, in the case of $R=0.310^6\Omega m$ at 12V, then $i=40 \mu A$ in Eq.(1).

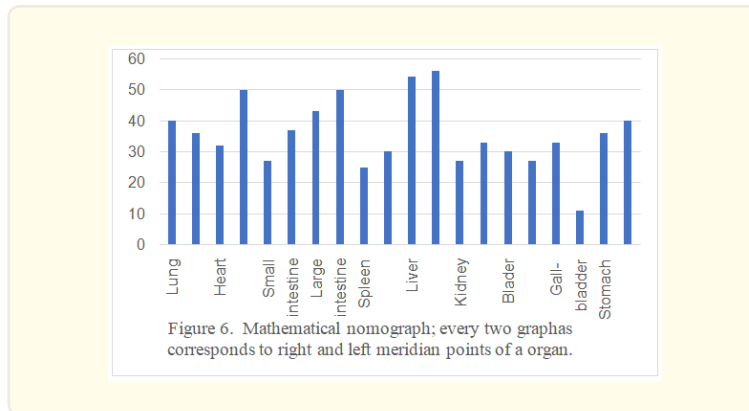
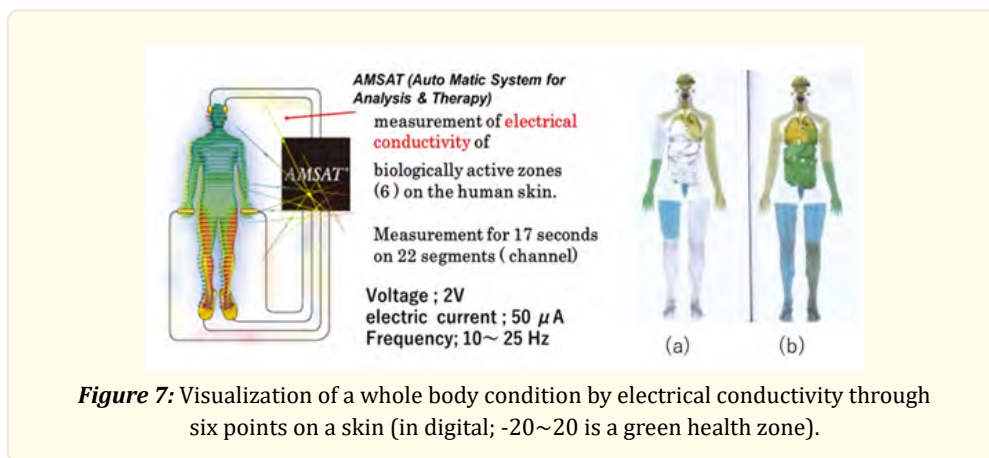


Figure 6 shows the average values of resistivity before and after the certain treatment, drinking SIGN water. For example, the values on a skin after drinking the water was $0.75 \times 10^6 \Omega m$, meanwhile $1.70 \times 10^6 \Omega m$ before.

We depict the therapy using electrical conductivity in the whole body in Figure 7. Left; concepts of the AMSAT. In the two persons, the right (a) shows a standard condition in the green zone, and the left (b) indicates the abnormal conditions in some parts. So, we can justify the condition in each body place. Furthermore, we can know the changes before and after specific treatment such as drinking SIGN water and illuminating SIGN LED light. We reported the improvement to the radiation-contaminated effects on a body in Fukushima [2].



Theory for the functions of infoton against bacteria and viruses

Now moving onto the function of chemical reduction of infoton, both H^+ and e^- are agents for reduction and anti-oxidation [23]. To reduce is to cure a disease since we consider that disease is a sort of “oxidation” of a body as described. So, we can understand that SIGN water plays a role in mending the condition. Because anaerobic bacteria want to reduce the atmosphere, they may live there.

However, infoton activates nitrogen in the air. Hereafter, an amino acid activates through a lone pair electron, which protects the anaerobic bacteria. Although weak, the electron in the infoton may function as an electron beam. We reported the countermeasures against virus, bacteria and germs [2].

From a microscopic viewpoint of protein, it seems necessary to turn to amino acids relating to the chemical bonding between atoms in the compounds [2], [24, 25].

We discussed virus vs. amino acid change. They discussed the L type was more prevalent in the early stages of the outbreak in Wuhan [26]. The frequency of the L type decreased after early January 2020. Supposed that the spike protein for COVID-19 is different, L-type is an amino acid that is leucine, and S-type's amino acid is serine [27, 28]. Infotons may effectively react to leucine so that hydrogen in ^+H_3N of leucine (in L452R) pulls the electron leading to H_2N . Then a lone pair electron of nitrogen (electron configuration; $2s^22p^3$) in H_2NC (serine-type) activates due to the lowest binding energy of C-N(3.1eV). The infoton can dissociate an amino radical rather than C-C(3.5 eV) and C-H(4.1eV); The infoton can quickly provide an electron to the amino group leading to serine hydrolyze. We will follow another type of virus associated with this theory when amino acids are clarified.

The evidence of people's experiences in daily-life

Finally, we can show some evidence that the people experienced the SIGN water or the SIGN LED light for a month to three months, although I did not perform the clinical trials experimentally; the number of a parenthesis describes a person.

i) easier time getting to sleep; 60 to 70% of people out of ten have improved. The seats on the bed were processed with SIGN water, ii) recovery for exhaustion (three), iii) The cataract became much better (two), iv) the atopic dermatitis have been improved (three) [29], v) constipation has been much better (several), vi) the Alzheimer's disease was improved (two), and vii) the values of a blood test (57 years old, male) have closed to the normal values after one month drinking the SIGN water; white blood cells ($4.7\sim 5.6 \times 10^3$ for normal values; $3\sim 8 \times 10^3$), hemoglobin ($10.8\sim 11.2\text{mg/dL}$ for normal values; $14\sim 17$), and blood platelet ($110\sim 130$ for normal values; $120\sim 350\mu\text{L}$). There are some cases in the books to cure a disease with water, but still water (H_2O) as it is [29, 30]. Although a doctor can justify the condition by a urine specimen, blood test, etc. there are some difficulties for clarifying the direct effects of water involving the mechanism due to physiological entanglement in a human body. We are approaching the mechanism of curing the disease through the pico-size water by an electrical treatment against the disease. We expand the number of people who try the SIGN water/LED and help people's health.

Conclusion

We introduced and discussed that the SIGN water possessing weak energy including infoton, ($H^+ \sim e^-$) gave a chemical reduction state to any substance and human body leading to improvement of some cases. And the infoton may prevent any virus involving COVID-19 by the functions of anti-oxidation to amino acids in physics and chemistry. We introduced the process change for every cell with an electrical idea and method using the Ryodoraku and AMSAT clinical instruments resulting in therapy. Our works extended radiation reduction in the contaminated body. We have not completed a trial for the prevention of COVID-19, although the SIGN water was examined against the bacteria introduced.

Acknowledgement

We thank you for Medical Dr N. Kato to treat and discuss the Ryodoraku instrument in Tokyo and for Dr. K. Hashimoto to handle the AMSAT instrument in Fukushima.

References

1. Sugihara S and Nagasaka Y. "Theoretical approach to protect COVID-19 using weak Energy from the pico-sized particle consisting of Proton and Electron". *MC Agriculture & Environmental Sciences* 1.4 (2021): 20-26.
2. Sugihara S and Nagasaka Yuji. "The Water Protects a Virus with the Weak Energy Involving the Elementary Particles". *MC Medical Sciences* 1.5 (2021): 46-54.
3. National Geographic Special Edition, *Water, The Power, Promise, and Turmoil of North America's fresh Water*, William Graves, Editor (1993).
4. pollack GH. *The Fourth Phase of Water*. Ebner & sons publisher, Seattle WA, USA (2013).
5. Cowan ML., et al. "Ultrafast memory loss and energy redistribution in the hydrogen bonbond network of liquid H₂O". *Nature* 434.7030 (2005): 199-202.
6. Sugihara S. Certificate of Trade Mark Registration No. 5138668, Japan Patent Office (2008).
7. Yukawa H. "Quantum Theory of Non-local Fields. Part I, Free Fields". *Phys. Rev* 77 (1950): 219 -226.
8. S Sugihara and Hatanaka K. "Photochemical Removal of Pollutants from Air or Automobile Exhaust by Minimal Catalyst Water". *Water* 1 (2009): 92-99.
9. Sugihara S. "The Mechanism of Activation of Substances by Minimal Catalyst Water and Application in Keeping Foods Fresh". *Water* 3 (2011): 87-94.
10. Sugihara S. "Deactivation of Radiation from Radioactive Materials Contaminated in Nuclear Power Plant Accident". *Water* 5 (2013): 69-85.
11. Derome AE. *Modern NMR Techniques for Chemistry Research*. Pergamon Books Ltd., Headington, Hills Hall, Oxford, OX3, OBW, England (1991).
12. Sugihara S., et al. Certificate of Patent No.6666528, Japan Patent Office (2020).
13. Oda H. *Ryodoraku Textbook*, Naniwa sha Publishing Inc., Osaka, (1989).
14. Agre P., et al. "The aquaporins, blueprints for cellular plumbing system". *J. Biol. Chem* 273.24 (1998): 14659-14662.
15. Yasui M., et al. "Rapid gating and anion permeability of an intracellular aquaporin". *Nature* 402.6758 (1999): 184-187.
16. Kozono D., et al. "Aquaporin water channels: atomic structure and molecular dynamics, meet clinical medicine". *The Journal of Clinical Investigation* 109.11 (2002): 1395-1399.
17. Tsenkova R. "Aquapohtomics: dynamic spectroscopy of aqueous and biological systems describes peculiarities of water". *J. Near Infrared Spectroscopy* 17 (2009): 303-314.
18. Frölich H. *The Theory of Dielectrics*. 2nd Edition, Oxford at The Clarendon Press, translated by T Nagamiya, Y Nagai, Yoshioka shoten (Kyoto) (1965).
19. Emsley J. *The Element*. 3rd edition, Published in the United States by Oxford University Press Inc., New York (1989).
20. Sugihara S. "Microscopic Approach to Water by Using the DV-XaMethod, and Some Innovative Applications" (ed.Wakita, H.) chap.10 (2015): 257-289.
21. Sunao Sugihara., et al., "Save of Environment and Living Organisms with Weak Energy of the Water". *MC Agriculture & Environmental Sciences* 1.2 (2021): 02-09.
22. Sunao Sugihara. "Functions on the Plants and Seeds with the Weak Energy of Water after Dissociating Hydrogen Bond". *EC Agriculture Research Article* 6.1 (2020): 01-08.
23. Sugihara S and Nagasaka Y. "Anti-Oxidation of Rose-Hip Oil with the Specially-Processed Water". *EC Agriculture* 6.5 (2020): 85-91.
24. MuMurry J and Simanek E. "Organic Chemistry". Sixth Edition, Thomson Brooks/Cole, a part of a The Thomson Corporation (2007).
25. We refer to the structure of amino acids with Wikipedia.
26. Xiaolu Tang., et al. "On the origin and continuing evolution of SARS-CoV-2". *National Science Review* nwa036 (2020).

27. Bergwerk M., et al. "Covid-19 Breakthrough Infections in Vaccinated Health Care Workers". N. Engl. J. Med (2021).
28. Feng S., et al. "Correlates of protection against symptomatic and asymptomatic SARS-CoV-2 infection". Preprint at medRxiv (2021).
29. Matsushita K and Asakura K. "New common sense of water", Published by Jitsugyo no Nihon Sha, Ltd., Tokyo (2005) (in Japanese).
30. Uehira S. "What is water" the behavior from the microscopic view", Published by Kohansha, Tokyo (2009) (in Japanese).

Volume 2 Issue 1 January 2022

© All rights are reserved by Sunao Sugihara.